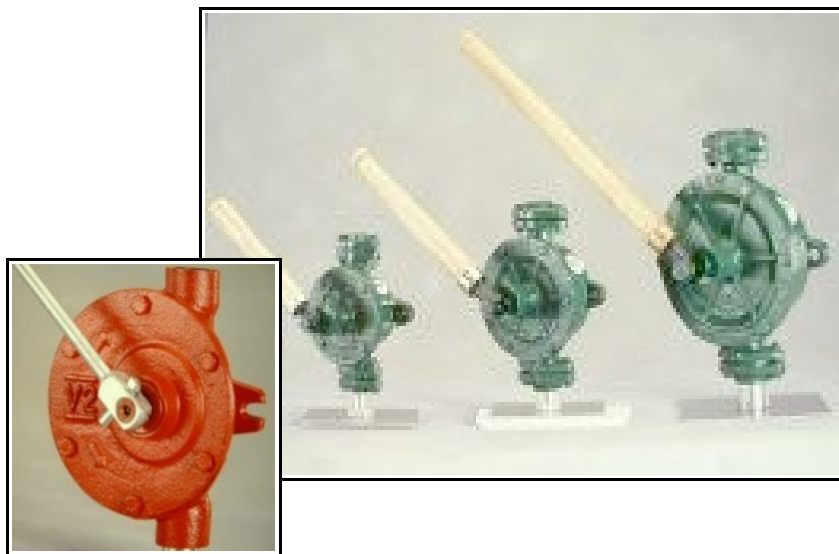


Patay

Rotary and Semi-Rotary Pumps

- Semi Rotary Action
- High Delivery Head
- Simple Operation
- Self Priming
- Delivery head up to 30 metres
- Rotary Action
- Reversible Action
- Easy to Work
- Self Priming
- Suction lift up to 7 metres



The pumps are suitable for handling various liquids free from suspended solids such as water, diesel fuel, paraffin, oil, etc with temperatures up to 80°C.

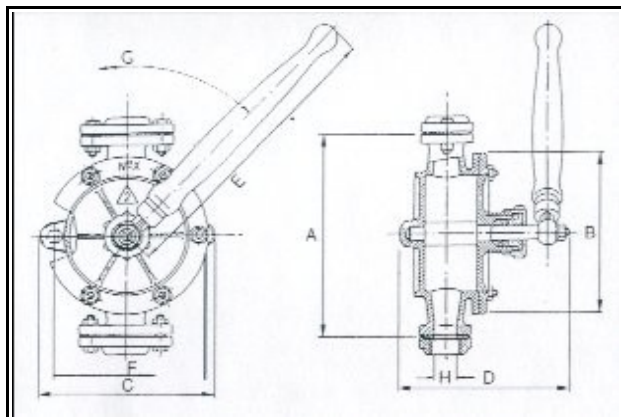
The rugged design of the standard pumps with cast iron bodies and cast alloy or brass internals guarantees long and effective service.

Rotary pumps are simple and robust, easy to mount having a flat rear surface and a full rotary action.

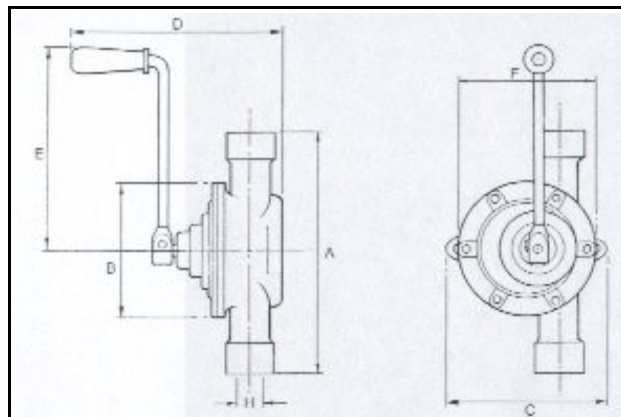
Rotary pumps are fully reversible, an asset on chemical plants, oil dispensers etc where the same unit can be used for both filling and emptying.

Stainless steel Rotary pumps with PTFE vanes are compatible with a wide range of liquids including most chemicals, potable water and high octane fuel.

General Specification



Semi-Rotary Pump



Rotary Pump

Pump Ref.	Model No.	Output ltrs/min	Suction Lift (m)	Del. Head(m)	Weight Kgs	A	B	C	D	E	F	G	H B.S.P.
Semi Rotary (Cast Iron body/Cast Alloy internals)													
E2294	0	7.5	2	25	3	110	100	120	135	220	98	110°	3/8"
E2311	0	11.5	2	25	4	175	135	160	195	300	130	110°	1/2"
E2312	1	17.3	2	25	6	205	150	180	195	300	150	110°	3/4"
E2313	2	22.5	2	25	8	230	170	200	205	360	170	110°	1"
E2314	3	29	2	22	10	275	200	240	232	450	200	110°	1 1/4"
E2315	4	43.3	2	22	12	295	220	255	264	500	220	110°	1 1/4"
E2316	5	53.5	2	20	15	320	245	275	276	600	240	110°	1 1/2"
E2319	7	90	2	15	28	360	288	360	345	620	310	110°	2"
Rotary (Cast iron body/Brass internals)													
E2302	V0	20	7	20	2.5	160	128	118	183	110	118	-	1/2"
E2305	V1	30	7	20	4	165	133	145	199	110	123	-	3/4"
E2308	V2	40	7	20	5	195	158	176	199	165	155	-	1"