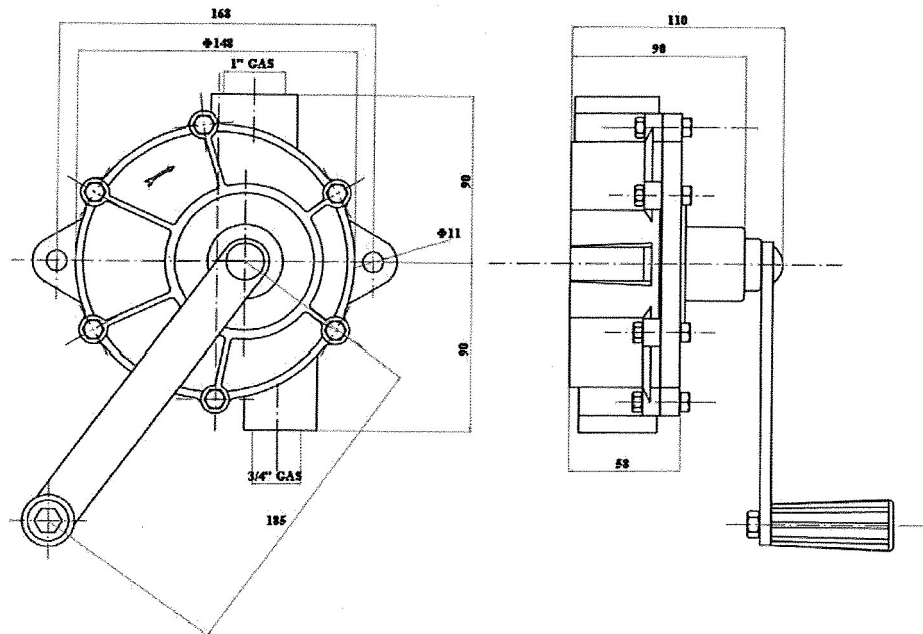


PLINIO ALUMINIUM ROTARY PUMP



*This self priming, fully reversible rotary action hand pump is manufactured from cast alloy and is ideal for pumping oil and diesel (**but not water**). It has an output of 0.2 ltrs per revolution.*

The connection ports are ¾" and 1" BSP(f).



Technical Specifications & Dimensions

- Capacity 35 ltrs/min
- Lift 4m
- Connections ¾" x 1"
- Weight 2kg
- Dimensions see above diagram.